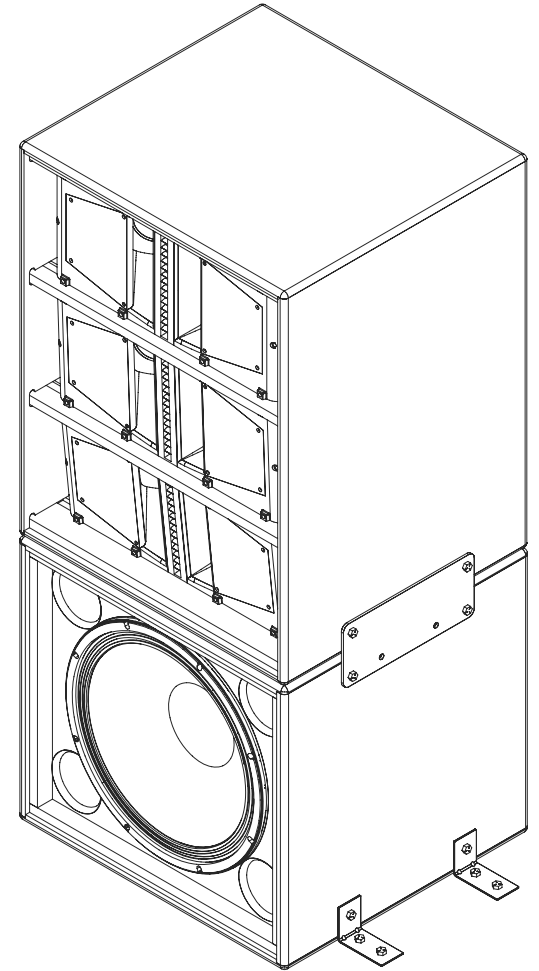
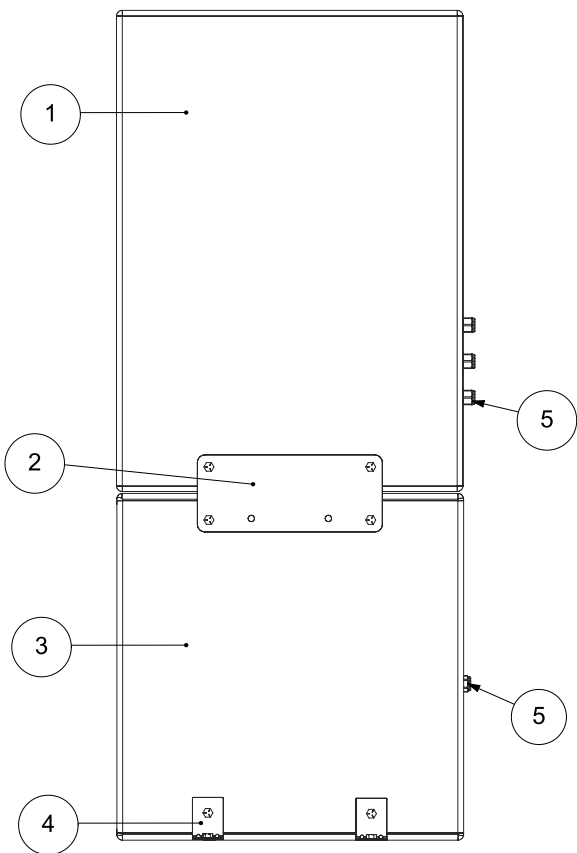


ITEM NO.	PART NUMBER	QTY
1	S-XL3-20 (WEATHER RESISTANT 3 MODULE ARRAY ENCLOSURE / BLACK)	1
2	XSERIESRIGPLT (POWDERCOAT BLACK / SET OF 2 PLATES)	1
3	S-118S (WEATER RESISTANT SINGLE 18 SUB / BLACK)	1
4	MOUNTING BRACKETS (RECOMMEDED BRACKETS FOR MOUNTING UNITS TO SECURE BASE / PARTS NOT SUPPLIED)	4
5	WATER TIGHT CONNECTOR (CONNECTION SEAL FOR CABLE INPUT TO ENCLOSURE / CABLE NOT PICTURED)	3



S-XL3-30 WITH S-118S

S-XL3-20, S-118S			
STADIUM XL3 / STADIUM S-118S			
SIZE	CAGE CODE	DWG NO.	REV
A1		10/17/16	M
SCALE	1:4	SHEET 1 of 1	