

WorxAudio® S-XL3

3-Module, 2-way Outdoor
Weatherized Line Array



- Extremely wide (160°) horizontal dispersion
- Compact line array with small footprint, stacked or flown
- Three 1.4-inch exit-diameter, horn-loaded compression drivers with 3-inch voice coils
- Six 8-inch LF transducers with 2-inch voice coils
- Flat natural sound at high SPLs
- FlatWave former for accurate 20° vertical dispersion
- Acoustic Intergrading Module reduces comb filtering
- Controlled symmetrical pattern for ultra wide stereo image and large audience coverage
- TrueAim rigging employs high-strength aluminum and steel for fixed installation
- Internal bracket w/8 threaded 0.375-inch flying points)

■ Weatherized construction for demanding outdoor applications:

- ◆ Fiberglass seal coating and polyurea inside and out, with UV exterior outdoor protection designed to withstand temperature extremes and moisture
- ◆ Sturdy multi-ply Baltic birch plywood enclosure
- ◆ Multi-layered catalyzed Polyurea finish
- ◆ Perforated powder coated stainless steel grille with high transmission ratio over weather-resistant mesh that blocks water intrusion
- ◆ 16-foot, 4-conductor, Aquaseal water block cables with gland nuts; each module is wired separately, requiring six (6) power inputs

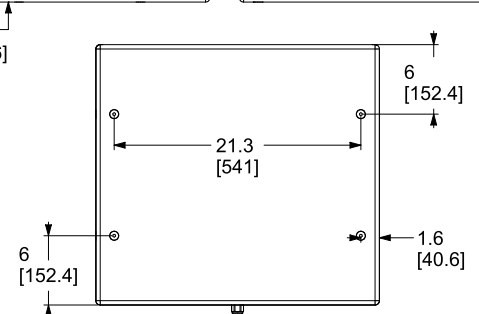
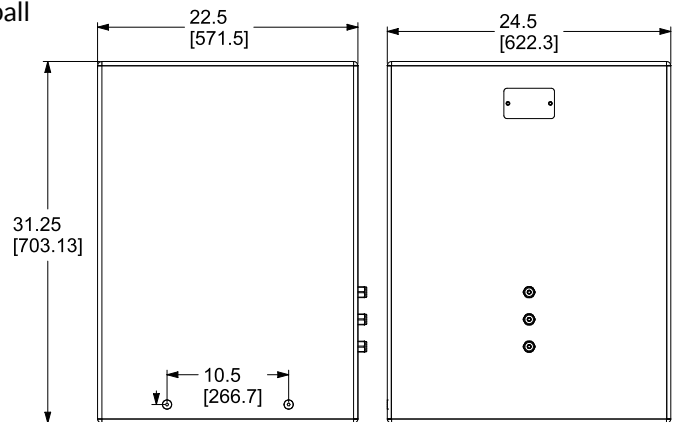
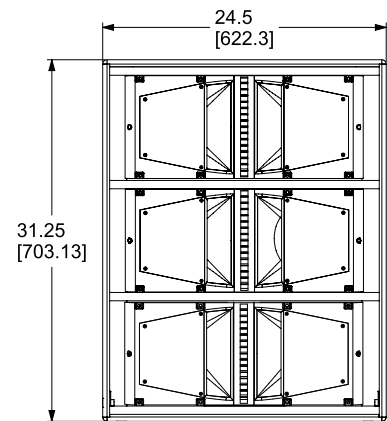
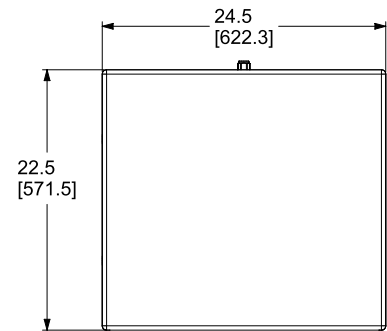
The weather-resistant S-XL3 achieves an impressive 160° horizontal dispersion pattern with 20° vertical pattern.

It excels in the most extreme environments, such as football and soccer fields, baseball stadiums, and amusement parks. The very broad dispersion reduces the quantity of enclosures needed to provide consistent coverage and minimize comb filtering.

Using six each 8-inch, 200 W (1200 W total) cone drivers and three 1.4-inch exit-diameter compression drivers coupled to a stabilized, proprietary FlatWave former deliver clear, penetrating high frequencies over a predictable and controlled coverage area. The S-XL3 provides a symmetrical horizontal coverage pattern, ensuring minimal distortion and smooth, extended low-frequency response.

It is available as a bi-amped system.

S-XL3 enclosures are manufactured using Baltic birch cross-laminated



wood and finished with a polyurea coating (inside and out), with UV exterior outdoor protection and a fiberglass seal coating inside and out.

The stainless steel fasteners will maintain their appearance, while a stainless steel, perforated grille, backed with a vinyl mesh, completes each system.

A perforated, powder-coated steel grille with a high transmission ratio offers excellent protective properties..

System Performance

Frequency Response (-3 dB) ¹	55 Hz - 18 kHz
Frequency Range (-10 dB)	47 Hz - 20 kHz
Recommended Highpass	60 Hz, with minimum 24 dB / octave (Butterworth) slope
Nominal Dispersion @ -6 dB	Horizontal: 160° Vertical: 20°
Recommended Crossover Frequency	1.2 kHz (acoustic, active, external DSP)
RMS Handling Capacity ²	LF: 1,200 W HF: 450 W
Pressure Sensitivity ³ @ 1W/1m	139 dB (WorxAudio preset)
Nominal Impedance (BiAmp Per Module)	LF: 4Ω HF: 8Ω x 3 modules

Transducers

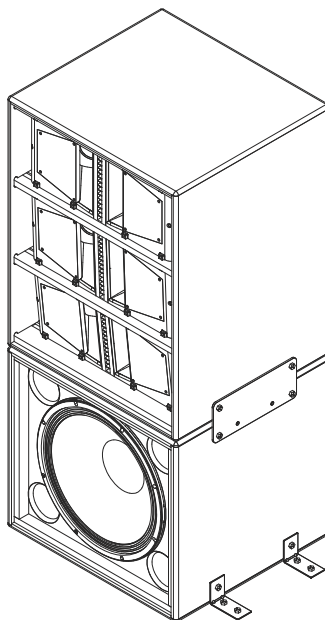
Components	LF: 8" (203.2 mm) x 6 HF: 1.4" exit (35.56 mm) x 3
Voice Coil	LF: 2" (50.8 mm) HF: 3.0" (76.2 mm)

Physical

Enclosure	Baltic birch plywood, engineered plastics
Finish	Two-part spray catalyzed Polyurea coating on plywood
Grille	14 gauge (1.0 mm) perforated steel, powder-coated finish, black
Environmental	Outdoor use
Connectors	Weather-resistant gland nut with 16' cable
Suspension/Mounting	Internal bracket with threaded 0.375" flying points
Dimensions	31.1875" H x 24.5" W x 18" D (792.0 mm x 622.3 mm x 457.2 mm)
Net Weight	176 lb. (79.83 kg)
Shipping Weight	185 lb. (83.91 kg) approximate with carton
Product Versions	S-XL3

Footnotes:

- 1 Frequency response and range measured on-axis with recommended active EQ in an anechoic environment.
- 2 Power handling tested using pink noise filtered to meet IEC 268-5, 6 dB crest factor, 100 hours, with recommended EQ.
- 3 Sensitivity measured in free field (no boundary-loading gain) with recommended active EQ, referenced to 1W/1m. Maximum SPL calculated from sensitivity and power handling specifications, exclusive of power compression



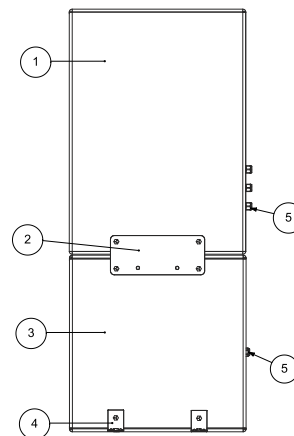
S-XL3 WITH S-118S

Download directly from this PDF!

ON LINE PDF VERSION ONLY

If you're reading this on-screen, you can click the boxes above for automatic download.

If you're reading the print version, just go to commercial.presonus.com



ITEM NO.	PART NUMBER	QTY
1	S-XL3 (WEATHER RESISTANT 3 MODULE ARRAY ENCLOSURE / BLACK)	1
2	XSERIESRIGPLT (POWDERCOAT BLACK / SET OF 2 PLATES)	1
3	S-118S (WEATHER RESISTANT SINGLE 18 SUB / BLACK)	1
4	MOUNTING BRACKETS (RECOMMENDED BRACKETS FOR MOUNTING UNITS TO SECURE BASE / PARTS NOT SUPPLIED)	4
5	WATER TIGHT CONNECTOR (CONNECTION SEAL FOR CABLE INPUT TO ENCLOSURE / CABLE NOT PICTURED)	3