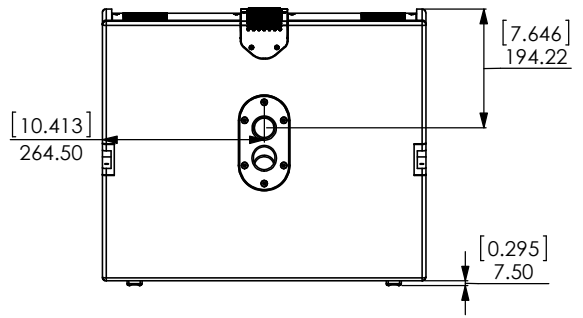
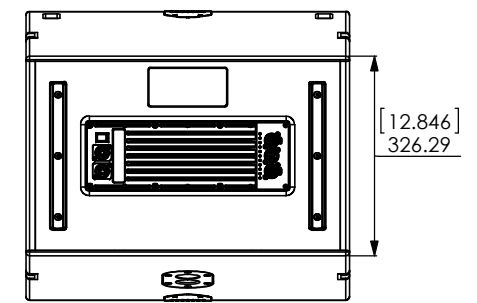
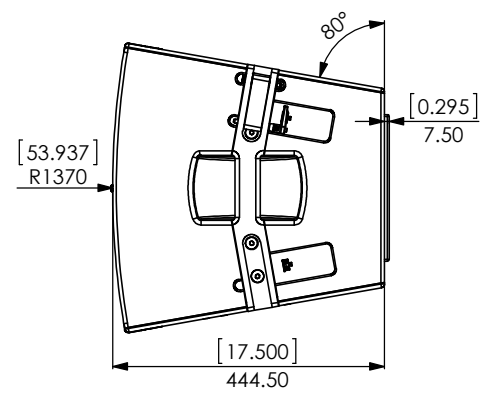
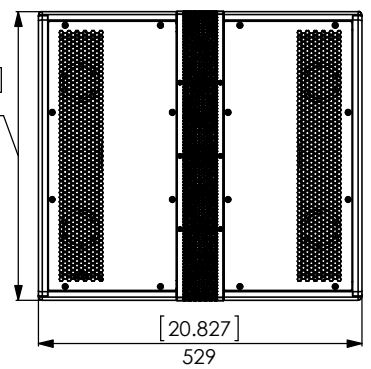
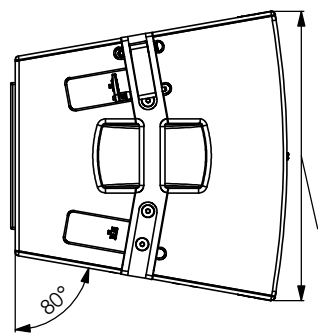
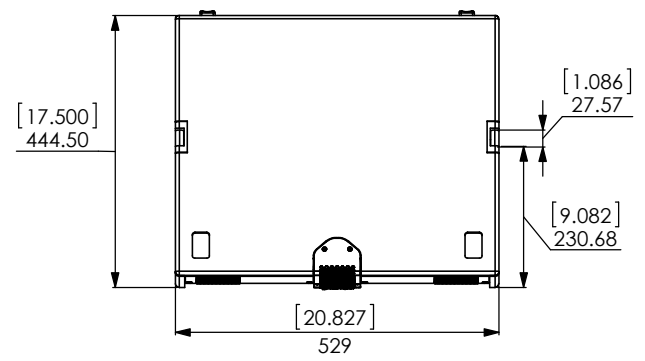


REVISIONS				
ZONE	REV.	DESCRIPTION	DATE	APPROVED



PROPRIETARY AND CONFIDENTIAL  
 THE INFORMATION CONTAINED IN THIS DRAWING IS THE SOLE PROPERTY OF PRESONUS AUDIO ELECTRONICS, INC. ANY REPRODUCTION IN PART OR AS A WHOLE WITHOUT THE WRITTEN PERMISSION OF PRESONUS AUDIO ELECTRONICS, INC. IS PROHIBITED.

UNLESS OTHERWISE SPECIFIED:		NAME	DATE
DIMENSIONS ARE IN INCHES	DRAWN	SR	11/13/11
FINISHES ARE:	CHECKED		
TELEVISION & VIDEO			
ANGULAR DIMENSIONS: DECIMAL			
TWO PLACE DECIMAL			
THREE PLACE DECIMAL			
UNLESS OTHERWISE SPECIFIED:			
TOLERANCES:			
FRACTIONS:			
DECIMALS:			
NEUTRAL:			
APPROVED:			

PreSonus Audio Electronics, Inc.

**CDL 12**

SIZE: DWG. NO. REV  
 D X

SCALE: 1:4 WEIGHT: SHEET 1 OF 1