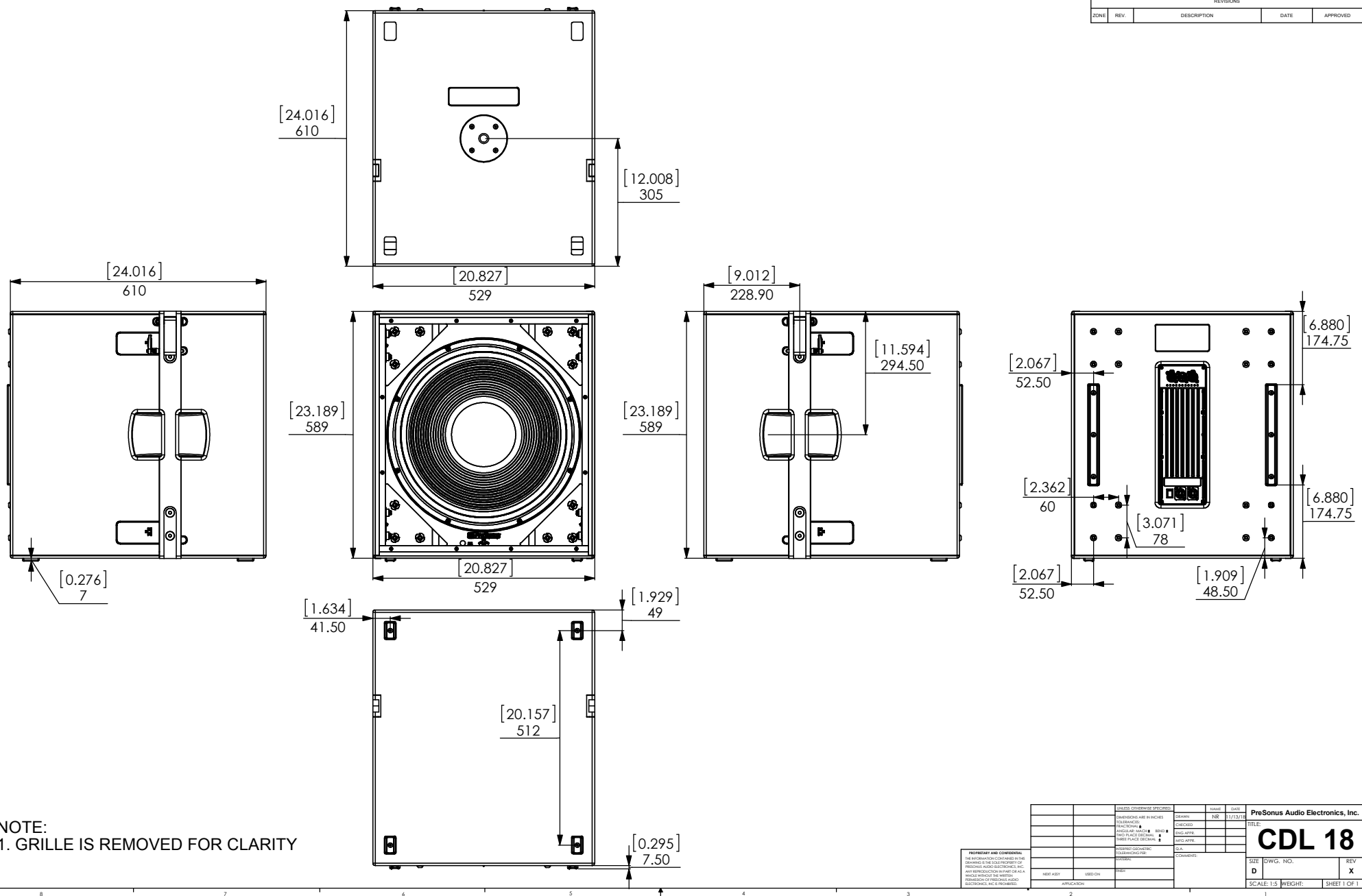


REVISIONS				
ZONE	REV.	DESCRIPTION	DATE	APPROVED



NOTE:
1. GRILLE IS REMOVED FOR CLARITY

UNLESS OTHERWISE SPECIFIED:		DATE	11/13/11	PreSonus Audio Electronics, Inc.
ALL DIMENSIONS ARE IN INCHES	DRAWN	NSR		
FRONT VIEW	CHECKED			TITLE
RIGHT SIDE VIEW				CDL 18
TOP VIEW				SIZE DWG. NO.
ISOMETRIC VIEW				D X
EXPLODED VIEW				SCALE: 1:15 WEIGHT:
OTHER				SHEET 1 OF 1