

# WorxAudio® S-X2

All-In-One Weatherized  
Compact Outdoor Line Array



- Extremely wide (160°) horizontal dispersion with 30° vertical pattern
- Compact line array with small footprint
- Two 1.0-inch exit-diameter, horn-loaded compression drivers with 1.75-inch voice coils
- Four 8-inch LF transducers with 2-inch voice coils
- Flat natural sound at high SPLs
- FlatWave former for accurate 30° vertical dispersion
- Acoustic Intergrading Module reduces comb filtering
- Controlled symmetrical pattern for ultra wide stereo image and large audience coverage
- Internal bracket w/threaded 0.375-inch flying points (x17)
- Weatherized construction for demanding outdoor applications:
  - ◆ Fiberglass seal coating and polyurea inside and out, with UV exterior outdoor protection designed to withstand temperature extremes and moisture
  - ◆ Sturdy multi-ply Baltic birch plywood enclosure
  - ◆ Multi-layered, catalyzed Polyurea finish

- ◆ Perforated powder coated stainless steel grille with high transmission ratio plus vinyl mesh to repel water
- ◆ 16-foot, 4-conductor, Aquaseal water block cables with gland nuts; each module is wired separately, requiring four (4) power inputs

The weather-engineered S-X2 achieves an impressive 160° horizontal dispersion pattern in the most extreme weather environments. It excels in applications such as football and soccer fields, baseball stadiums, and amusement parks. Its very broad dispersion reduces the quantity of enclosures needed to provide consistent coverage and minimize the occurrence of comb filtering and related audible anomalies.

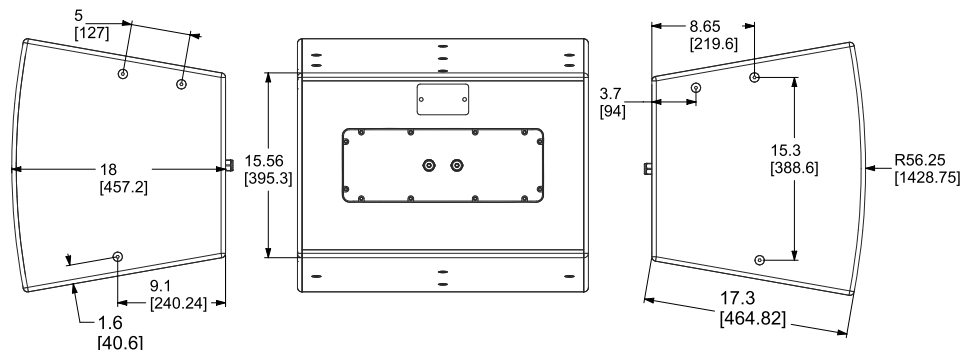
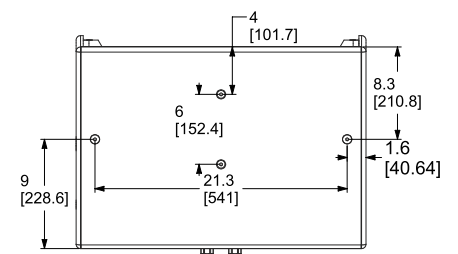
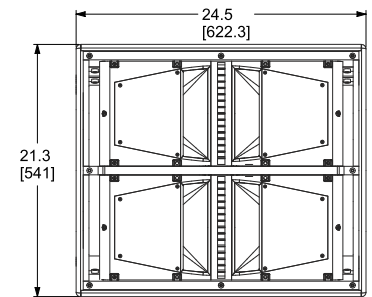
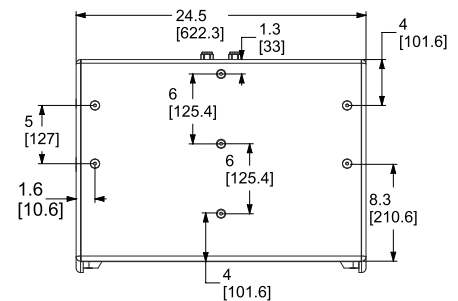
We invite you to download a [chart](#) that compares the relative costs of the S-X2 and several popular competitors. Our superior 160° dispersion makes the S-X2 by far the best value.

Using four 8-inch, 200 W (800 watt total) cone drivers and two 1-inch exit-diameter compression drivers coupled to a stabilized, proprietary FlatWave former, the S-X2 delivers clear, penetrating high frequencies over a predictable and controlled coverage area. Spectators at any outdoor event will enjoy a symmetrical coverage pattern, ensuring the sound

has minimal distortion and smooth, extended low-frequency response.

S-X2 enclosures are manufactured using Baltic birch cross-laminated wood and finished with a polyurea coating (inside and out), with UV exterior outdoor protection and a fiberglass seal coating inside and out.

The stainless steel fasteners will



maintain their appearance, while a stainless steel, perforated grille, backed with a vinyl mesh, completes each system.

Custom- designed flyware enables the user to easily array the system to the precise desired coverage area.

### System Performance

Frequency Response (-3 dB) <sup>1</sup>	58 Hz – 18 kHz
Frequency Range (-10 dB)	48 Hz – 20 kHz
Recommended Highpass	60 Hz, with minimum 24 dB / octave (Butterworth) slope
Nominal Dispersion @ -6 dB	Horizontal: 160° Vertical: 30°
Recommended Crossover Frequency	1.6 kHz (acoustic, active, external DSP)
RMS Handling Capacity <sup>2</sup>	LF: 800 W HF: 150 W
Pressure Sensitivity <sup>3</sup> @ 1W/1m	132 dB (WorxAudio preset)
Nominal Impedance (BiAmp x 2 Modules)	LF: 4Ω per module HF: 8Ω
Nominal Impedance (Passive)	8Ω

### Transducers


Components	LF: 8" (203.2 mm) x 4 HF: 1.0" exit (25.4 mm) x 2
Voice Coil	LF: 2" (50.8 mm) HF: 1.75" (44.45 mm)

### Physical

Enclosure	Baltic birch plywood, engineered plastics, and aluminum frame
Finish	Two-part spray catalyzed Polyurea coating on plywood
Grille	14 gauge (1.0 mm) perforated steel, powder-coated finish, black
Environmental	Outdoor use
Connectors	Weather-resistant gland nut with 16' cable
Suspension/ Mounting	Internal bracket with threaded 0.375" flying points
Dimensions	21.375" H x 24.5" W x 18" D (542.92 mm x 622.3 mm x 457.2 mm)
Net Weight	109 lb. (49.44 kg)
Shipping Weight	115 lb. (52.16 kg) approximate with carton
Product Versions	S-X2

#### Footnotes:

- 1 Frequency response and range measured on-axis with recommended active EQ in an anechoic environment.
- 2 Power handling tested using pink noise filtered to meet IEC 268-5, 6 dB crest factor, 100 hours, with recommended EQ.
- 3 Sensitivity measured in free field (no boundary-loading gain) with recommended active EQ, referenced to 1W/1m. Maximum SPL calculated from sensitivity and power handling specifications, exclusive of power compression

 Download directly from this PDF!

 ON LINE PDF VERSION ONLY

If you're reading this on-screen, you can click the boxes above for automatic download.

If you're reading the print version, just go to [commerical.presonus.com](http://commerical.presonus.com)

